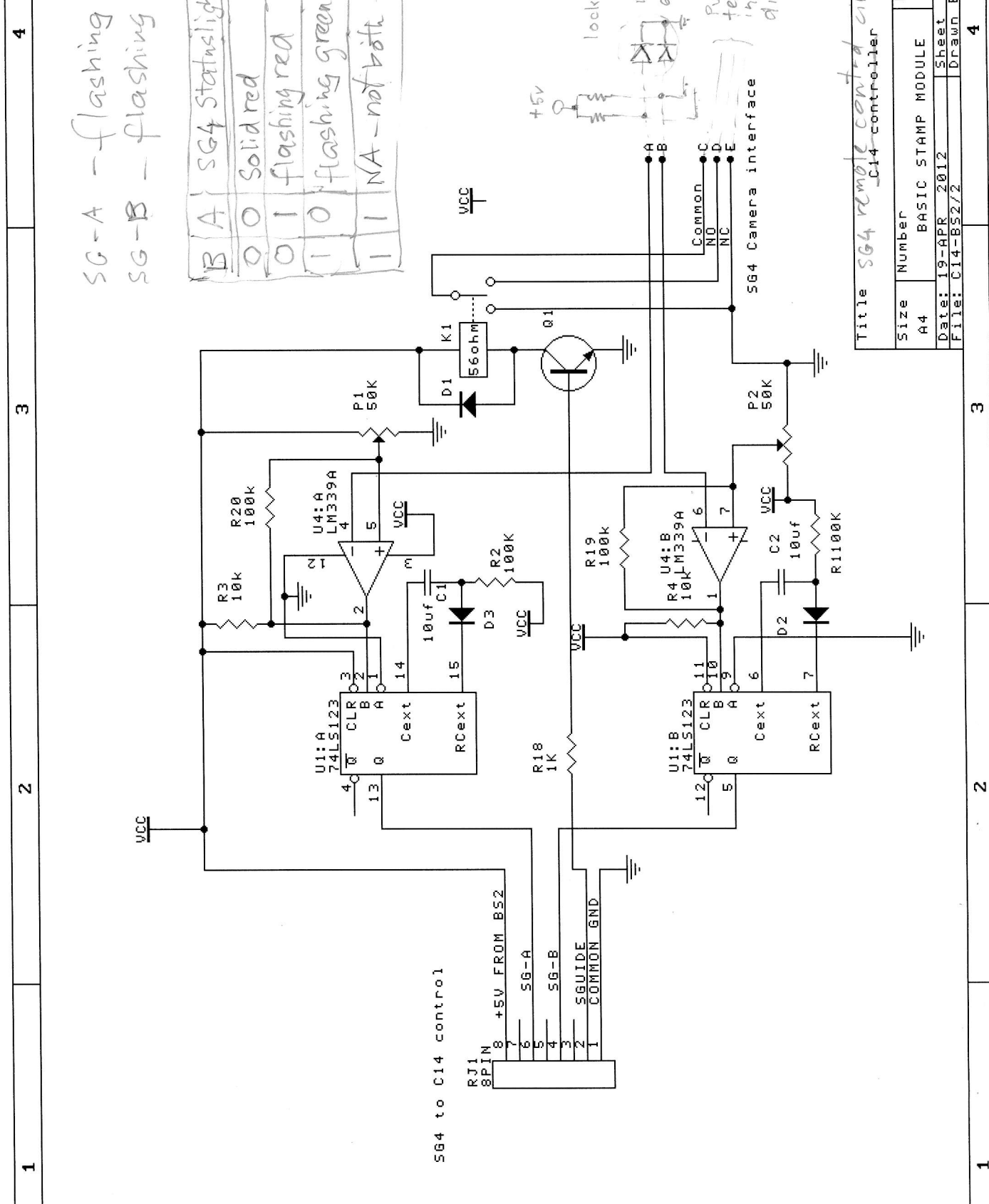


Title		C14 controller	
Size	Number	Revision	Revision
A4	BASIC STAMP MODULE	1.0	1.0
Date:	19-APR 2012	Sheet	1 of 1
File:	C14-B52/1	Drawn By:	AH



SG-A - flashing red  
 SG-B - flashing green

B	A	SG4 Status Light	Meaning
0	0	Solid red	Idle
0	1	flashing red	searching
1	0	flashing green	locked
1	1	NA - not built	NA

Title		Revision	
Size	Number	BASIC STAMP MODULE	1.0
A4	A4		
Date:	19-APR 2012	Sheet	1 of 1
File:	C14-BS2/2	Drawn By:	AH