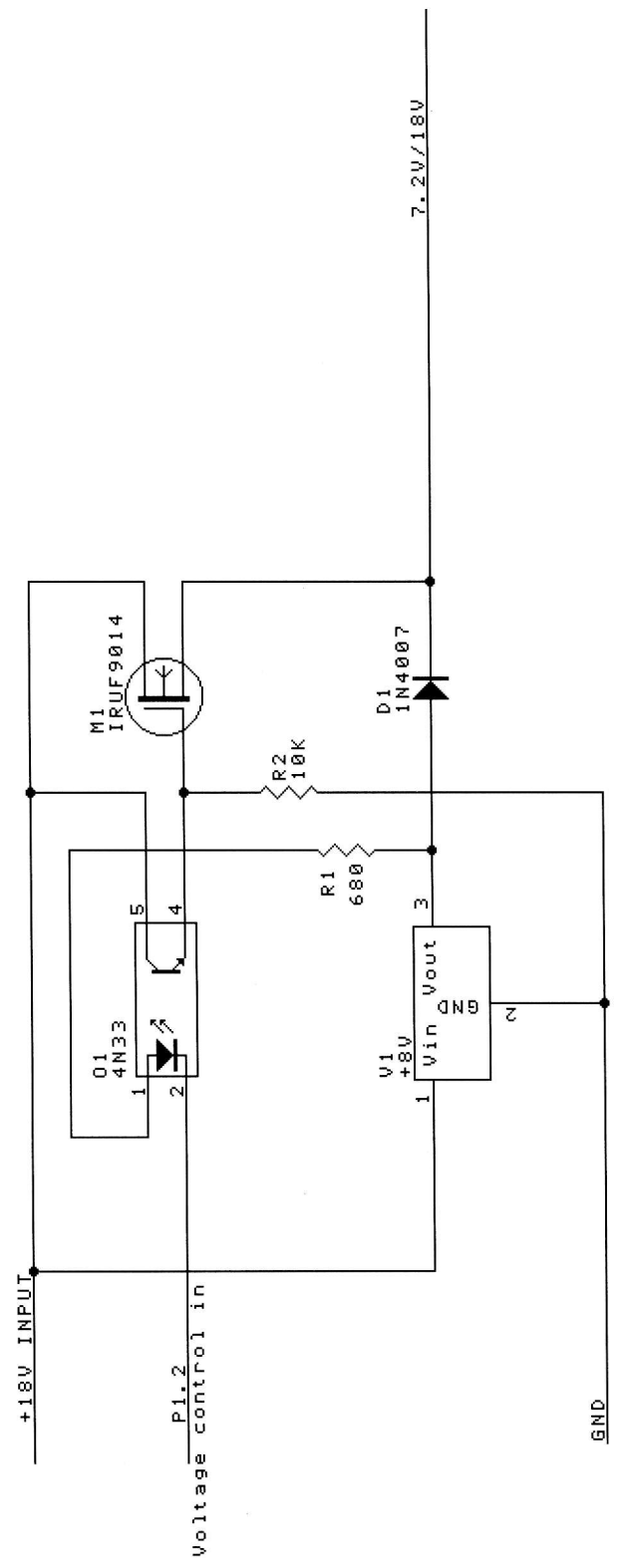


Title			DRIVE CORRECTOR FOR C14		
Size	Number	Revision			
A3					
Date:	16-MAR-2012	Sheet	of		
File:	DRV CORR/1	Drawn By:	A.H.		



Title  
DUAL AXIS DRIVE CORRECTOR

Size	Number	PSU VOLTAGE CONTROL	Revision
A4			
Date:	16-MAR	2012	Sheet of
File:	DRVCORR/2		Drawn By: